

New Lancing System Upgrades

For Both Horizontal and Vertical Applications

STEP 3

Positioning Unit

Select the positioner and upgrade options to fit your applications.

NEW

New Lancing System Materials

We have a new Lancing System Assembly Powerpoint presentation, a new brochure detailing the Positioner upgrades and new video footage of the Lancing System in action. It's all available at stoneagetools.com.

Improved Carriage Plate

We have simplified the clamps that secure the drive rail to the carriage plate. Now the drive rail adjustment can be made via 2 hand clamps.

Optional Tilt Function

The system still features a tilt function and steering control option. (Not shown.) The tilt function allows the positioner to match irregular tube pitch angles, and the steering controls allow for easy transport from job to job.

Modular Corner Posts

New universal corner brackets facilitate easy expansion of the operating window to accommodate different sized bundle faces.

Swivel Wheels & Jack Stands

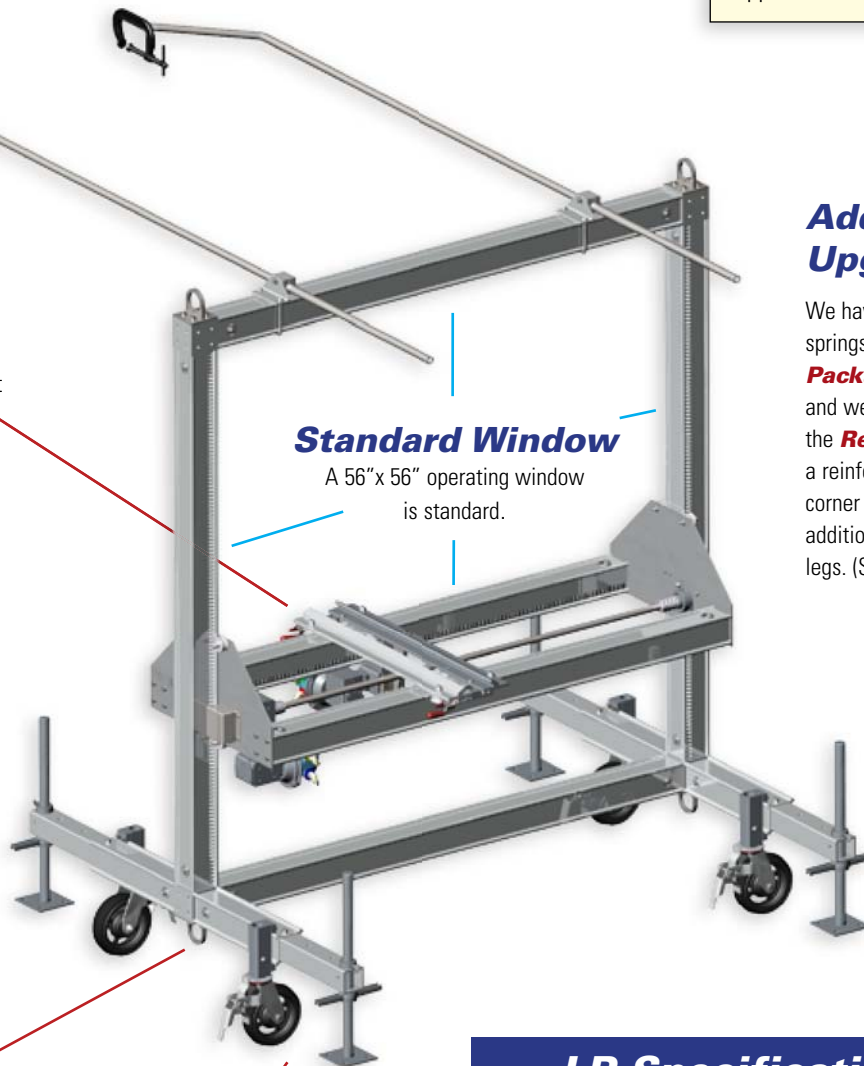
We now have additional options for transport and stability, including swivel wheel sets and jack stands. These options are detailed in the new brochure and on our web site.

Standard Window

A 56" x 56" operating window is standard.

Additional Upgrades

We have also added dual springs to the **Power Packages** (see page 35) and we have also enhanced the **Rear Support** with a reinforced top bar, stronger corner brackets and an additional brace on the cross legs. (See page 33.)



LP Specifications

MODEL		WEIGHT	
LP-300-78™	Lance Positioner	312 lbs	141 kg
LP 320™	Rear Support *	96 lbs	44 kg
LP 335-XX™	Wheel Kit **	183 lbs	83 kg

* The rear support is shown on page 33.

** Many options available - Call for Tech Support.